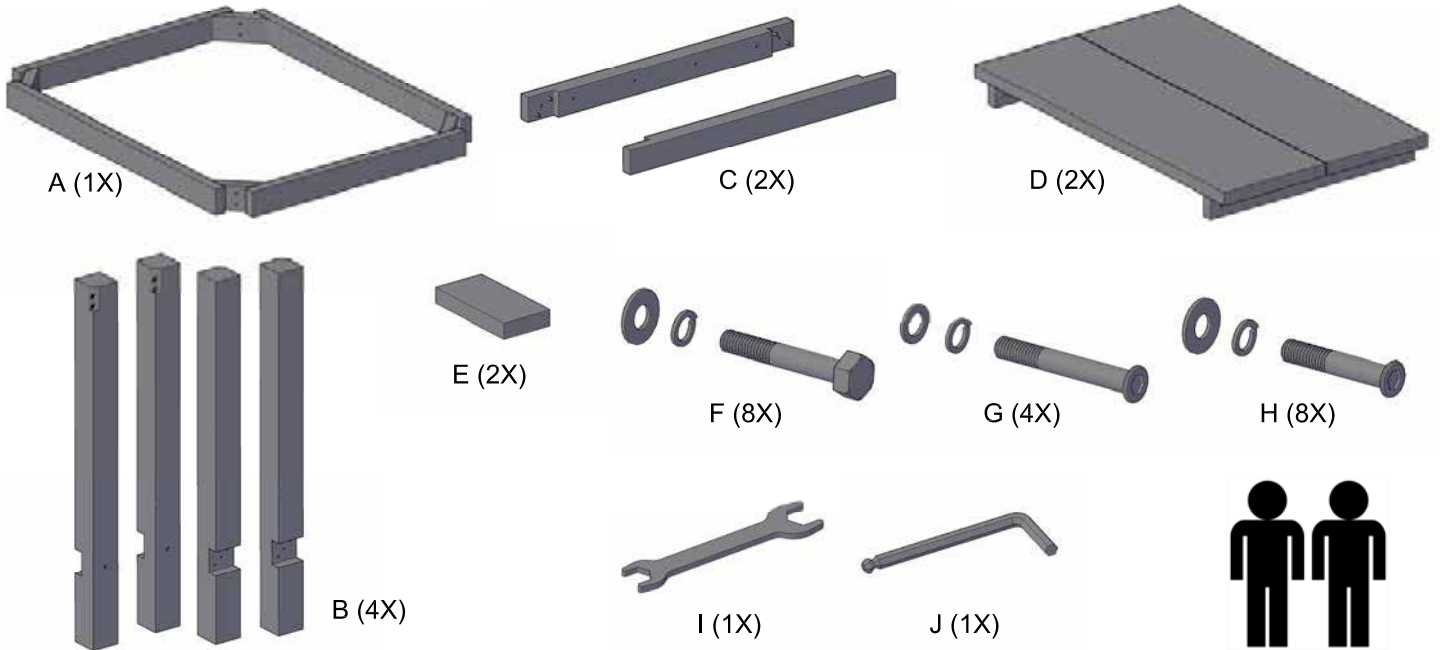


# PROVENCE KITCHEN TABLE

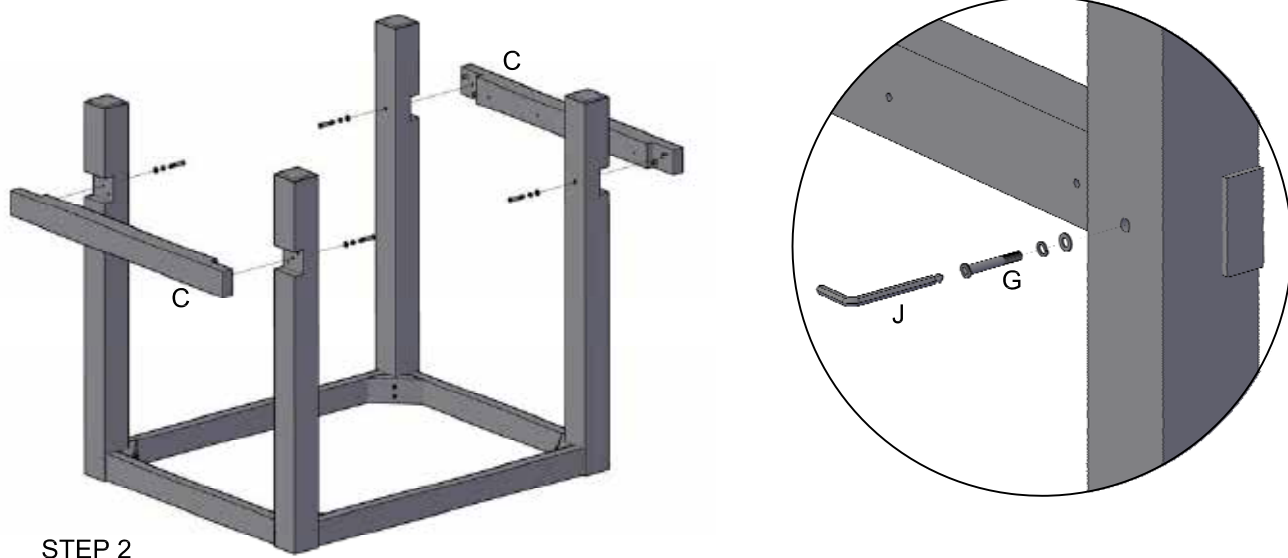
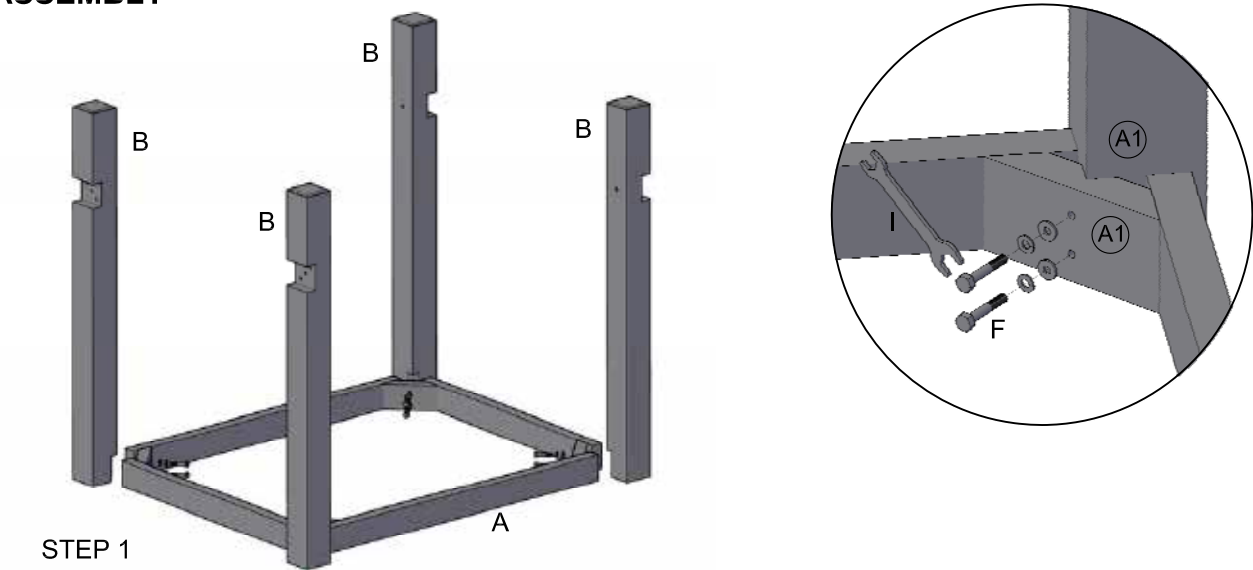
## ASSEMBLY INSTRUCTION

Saveri™

### PART LIST



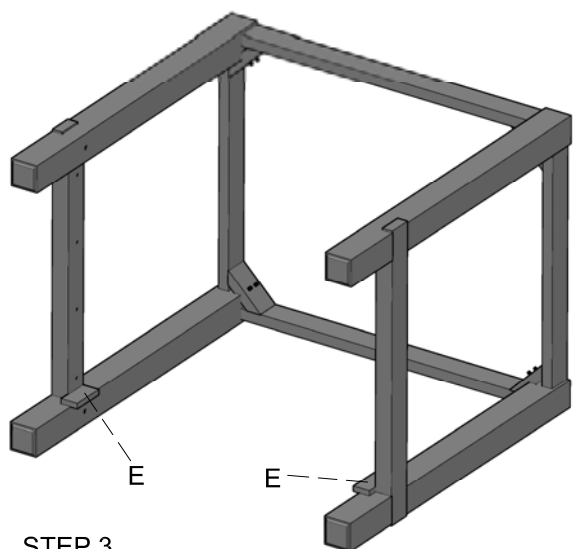
### ASSEMBLY



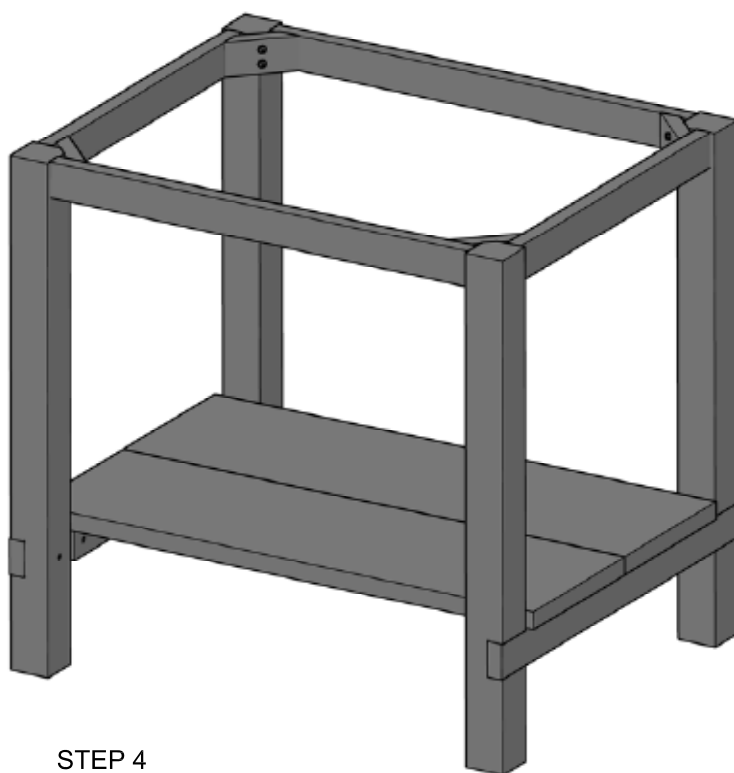
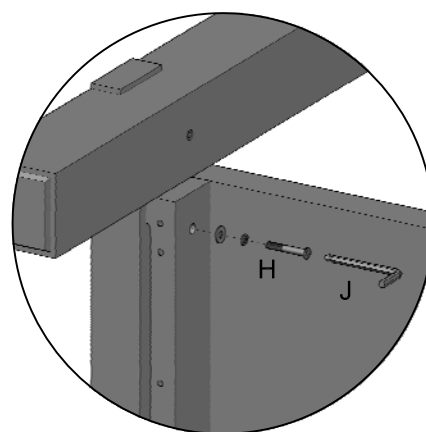
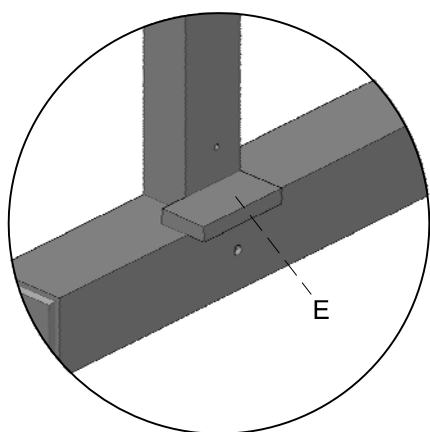
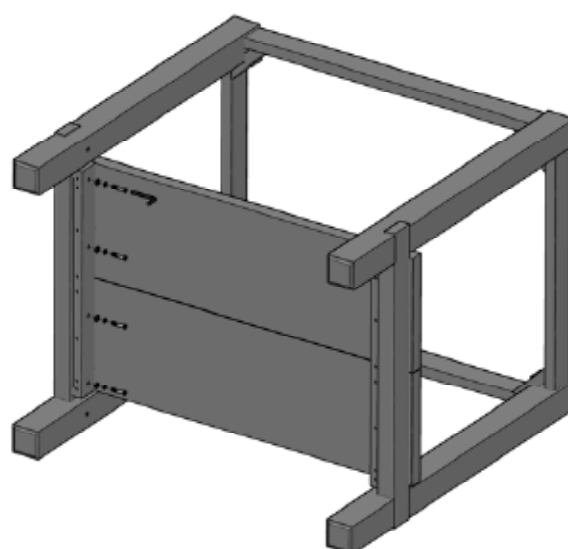
# PROVENCE KITCHEN TABLE

## ASSEMBLY INSTRUCTION

Saveri™



STEP 3



STEP 4